

# Ferramenta INOX

## STAINLESS STEEL hardware



FERRAMENTA  
INOX

STAINLES STEEL  
HARDWARE



### FINITURE STANDARD

- Inox finitura naturale

### FINITURE A RICHIESTA

- Nero lucido
- Nero gofrato GB\_Coated

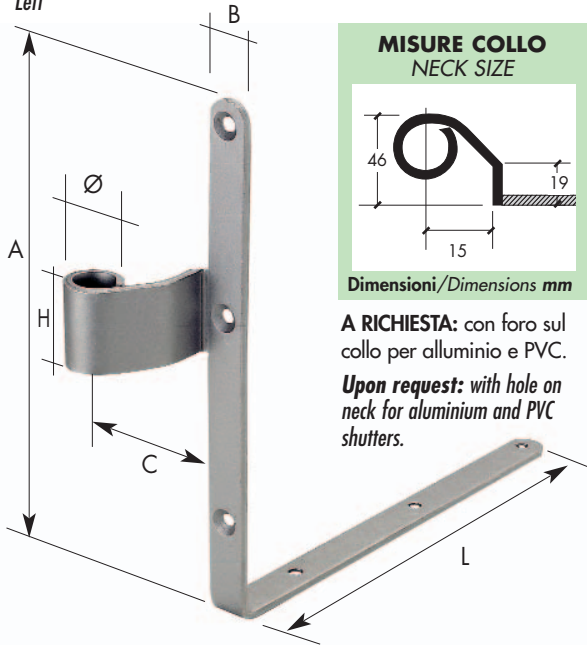
### STANDARD FINISHES

- Natural stainless steel finish

### OPTIONAL FINISHES

- Glossy black
- Embossed black GB\_Coated

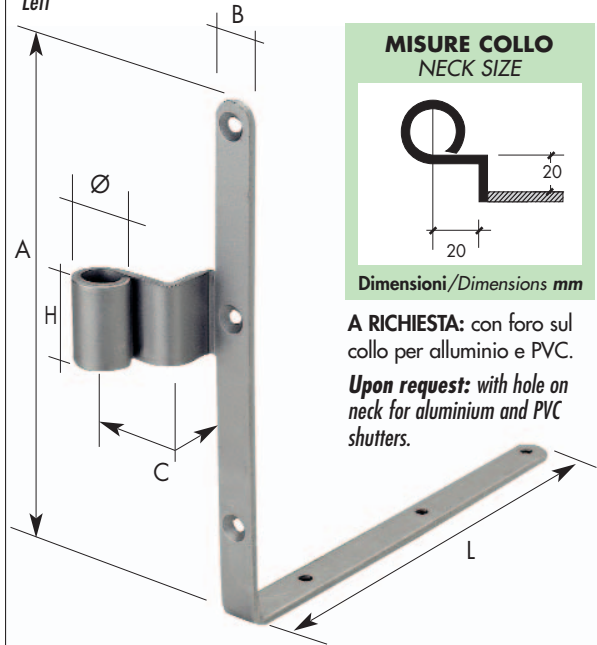
**Art. 7 INOX / STAINLESS STEEL**
**Pollice**
**Sinistro**  
Left

**Hook**

**20 Pz. (10 Destri + 10 Sinistri)**  
20 Pcs. (10 Right + 10 Left)

**Dimensioni/Dimensions mm**

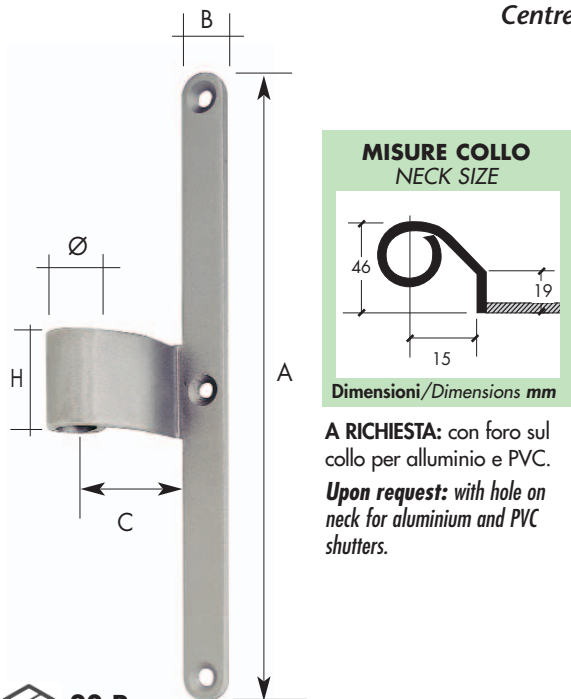
A	L	C	Ø	B	H
190	190	35	12	15	30

**Art. 12 INOX / STAINLESS STEEL**
**Pollice**
**Sinistro**  
Left

**Hook**

**20 Pz. (10 Destri + 10 Sinistri)**  
20 Pcs. (10 Right + 10 Left)

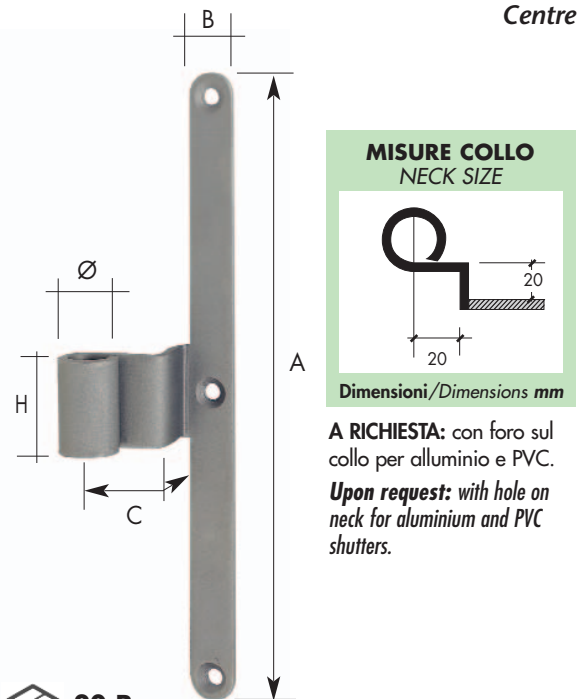
**Dimensioni/Dimensions mm**

A	L	C	Ø	B	H
190	190	20x20	12	15	30

**Art. 17 INOX / STAINLESS STEEL**
**Centrale**
**Centre**

**20 Pz.**  
20 Pcs.

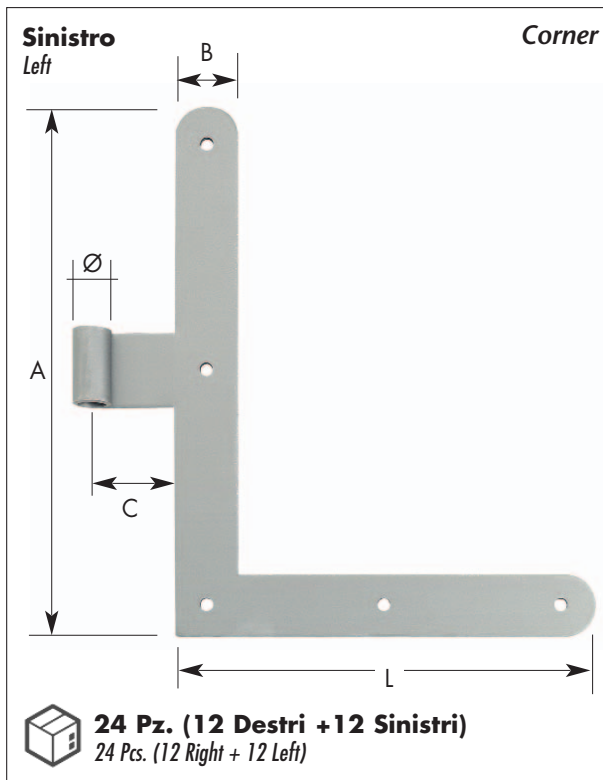
**Dimensioni/Dimensions mm**

A	C	Ø	B	H
200	35	12	15	30

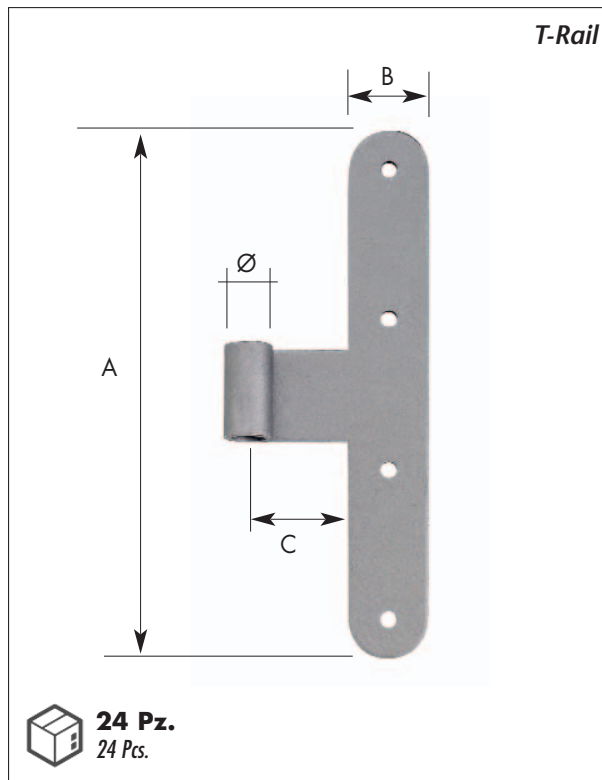
**Art. 18 INOX / STAINLESS STEEL**
**Centrale**
**Centre**

**20 Pz.**  
20 Pcs.

**Dimensioni/Dimensions mm**

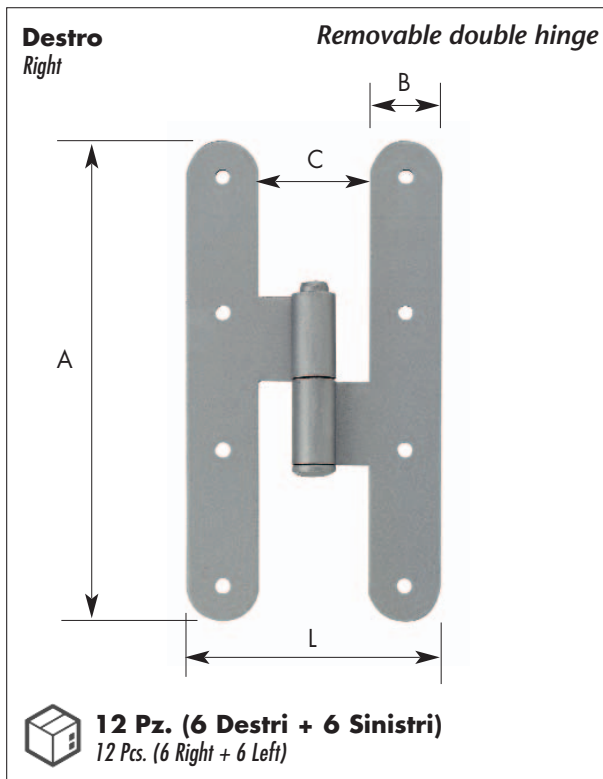
A	C	Ø	B	H
200	20x20	12	15	30

**Art. 700 INOX / STAINLESS STEEL**
**Angolo**

**Dimensioni/Dimensions mm**

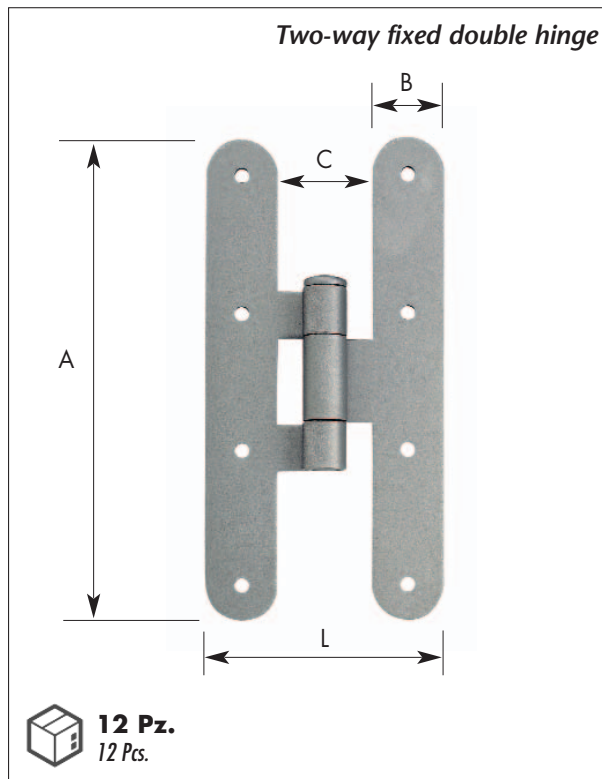
A	L	C	Ø	B
250	200	35	12	30

**Art. 701 INOX / STAINLESS STEEL**
**Ferro a T**

**Dimensioni/Dimensions mm**

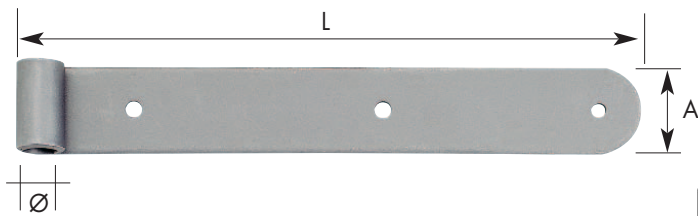
A	C	Ø	B
200	35	12	30

**Art. 702 INOX / ST. STEEL**
**Maschietto sfilabile**

**Dimensioni/Dimensions mm**

A	L	C	Ø	B
200	100	40	12	30

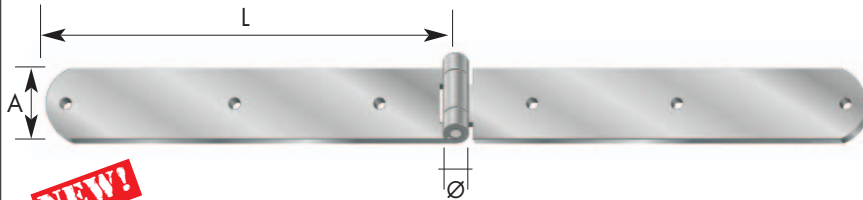
**Art. 703 INOX Maschietto fisso ambidestro**

**Dimensioni/Dimensions mm**

A	L	C	Ø	B
200	100	40	12	30

**Art. 707 INOX / STAINLESS STEEL**
**Bandella / Batten**

**12 Pz.**  
12 Pcs.

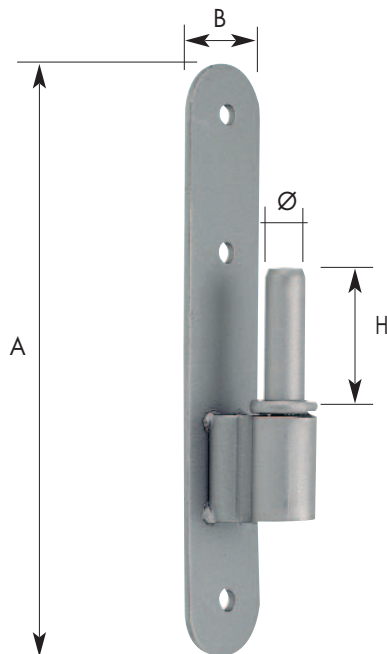
**Dimensioni/Dimensions mm**

L	Ø	A
200	12	35
250	12	35
300	12	35
400	12	35
500	12	35

**Art. 709 INOX / STAINLESS STEEL**
**Bandella doppia / Double Batten**

**NEW!**
**12 Pz.**  
12 Pcs.

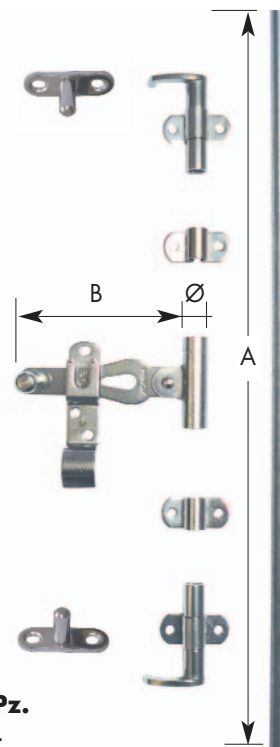
**Dimensioni/Dimensions mm**

L	Ø	A
100	7	35
150	7	35
200	7	35

**Art. 705 INOX / STAINLESS STEEL**
**Piastrella**
*Plate*

**12 Pz.**  
12 Pcs.

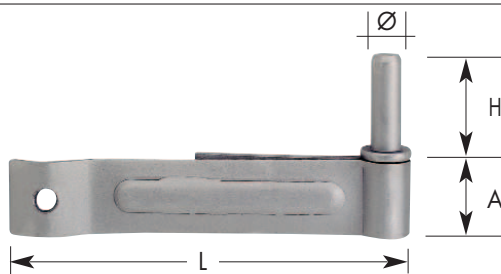
**Dimensioni/Dimensions mm**

A	H	Ø	B
170	35	12	30

**Art. 95 INOX / STAINLESS STEEL**
**Spagnolette**
*Espagnolette*

**12 Pz.**  
12 Pcs.

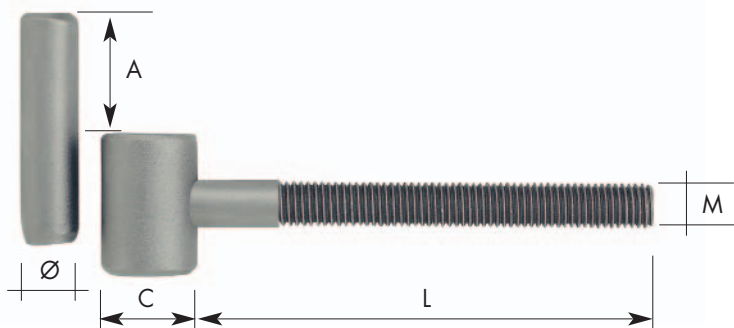
**Dimensioni/Dimensions mm**

B	Ø	A
108	10	1600
108	10	2000
108	10	2500

**Art. 380 INOX / STAINLESS STEEL**
**Cardine / Pivot**

**Dimensioni/Dimensions mm**

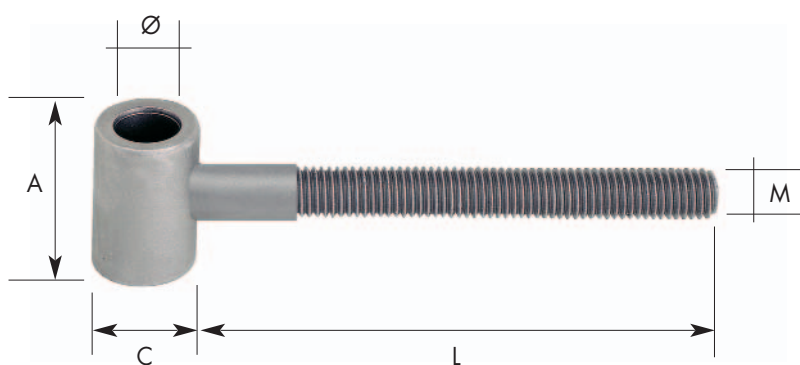
L	H	Ø	A
150	35	12	30

**12 Pz.**  
12 Pcs.

**Art. 333 INOX / STAINLESS STEEL**
**Anuba spina levare/ Removable Anuba hinge pin**

**Dimensioni/Dimensions mm**

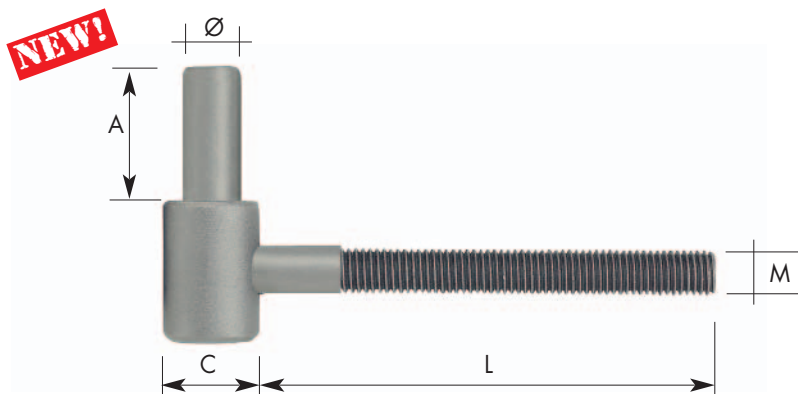
A	M	C	Ø	L
30	10	20	12	100
30	10	20	12	150

**12 Pz.**  
12 Pcs.

**Art. 331 INOX / STAINLESS STEEL**
**Anuba femmina / Female Anuba hinge**

**Dimensioni/Dimensions mm**

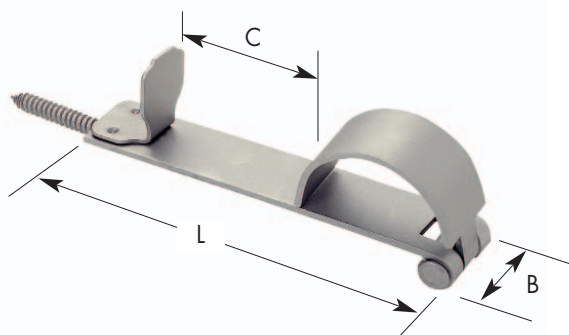
A	M	C	Ø	L
30	10	20	12	100

**12 Pz.**  
12 Pcs.

**Art. 332 INOX / STAINLESS STEEL**
**Anuba maschio a spina fissa / Fixed pin male Anuba hinge**

**Dimensioni/Dimensions mm**

A	M	C	Ø	L
30	10	20	12	100
30	10	20	12	150

**12 Pz.**  
12 Pcs.

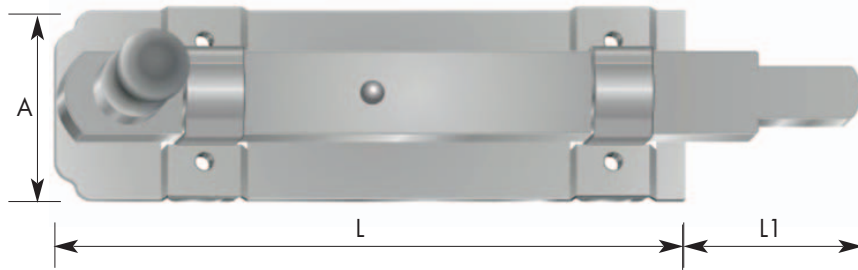
**Art. 37 INOX / STAINLESS STEEL**
**Nottola alla Romana a vite / Roman screw bolt**
**A VITE**
**SCREW**

**Dimensioni/Dimensions mm**

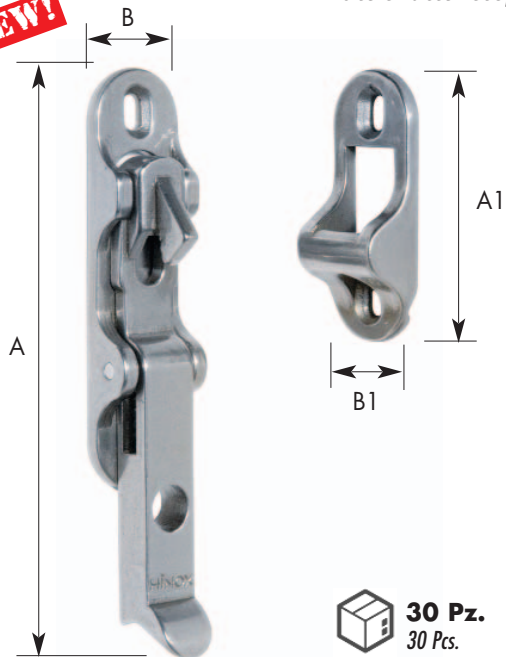
B	C	L
35	60	155

**12 Pz.**  
12 Pcs.

**Art. 715 INOX / STAINLESS STEEL**
**Catenaccio traverso / Cross locking bolt**
**NEW!**
**Dimensioni/Dimensions mm**

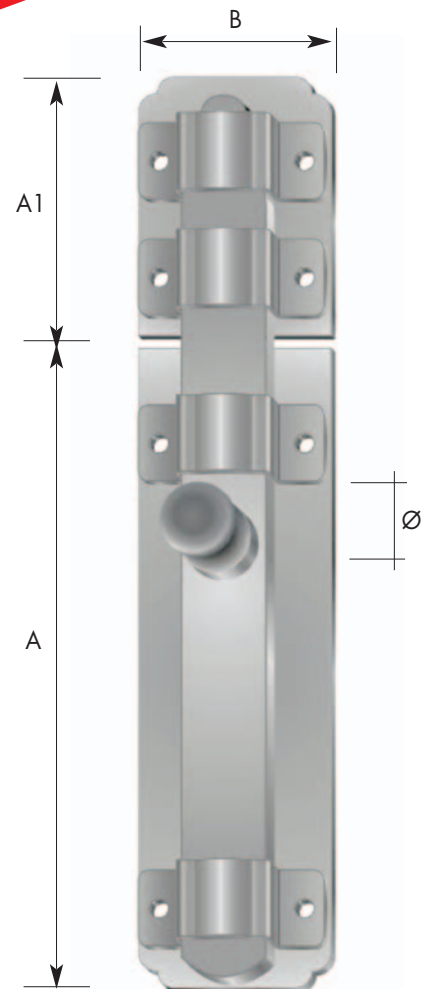
L	L1	A
150	45	45
250	45	45
340	50	45


**5 Pz.**  
5 Pcs.

**Art. 298 INOX** *Fermagriglia a piastra*
**Art. 716 INOX** *Catenaccio verticale*
**NEW!**
**Plate shutter stop**

**30 Pz.**  
30 Pcs.

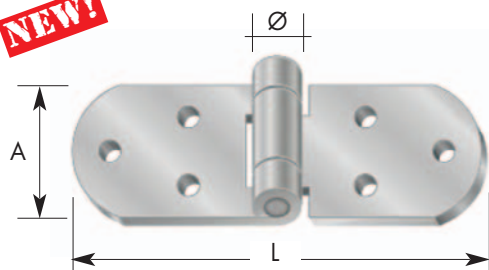
**Dimensioni/Dimensions mm**

A	B	A1	B1
140	25	65	25

**Vertical locking bolt**
**NEW!**

**5 Pz.**  
5 Pcs.

**Dimensioni/Dimensions mm**

A	A1	Ø	B
150	60	18	45
190	105	18	45
250	150	18	45

**Art. 14 INOX / STAINLESS STEEL** *Cernieretta*
**NEW!**
**Hinge**

**24 Pz.**  
24 Pcs.

**Dimensioni/Dimensions mm**

A	L	Ø	SPESSORE/Thickness
35	100	7	3